

SPEED QUEEN MULTI-HOUSING

QUANTUM® GOLD PREP FOR CARD

COMMERCIAL STACK WASHER/DRYER - STAINLESS

Built for Reliable Performance

Speed Queen's stack washer/dryer brings an innovative stacked concept that takes up half the floor space that a conventional washer and dryer does when situated side by side. The freestanding softmount design can be installed on all floor types or levels. Both washer and dryer have the same hookups and connections as a standard washer and dryer. No additional plumbing or electrical change is needed. Speed Queen's stack washer/dryer combines heavy-duty construction with reliable operation proven to stand the test of time. They're designed with less moving parts for one reason: so you'll face fewer maintenance problems and less wear and tear down the road. Front load products have met every design standard to be 100% ADA compliant.

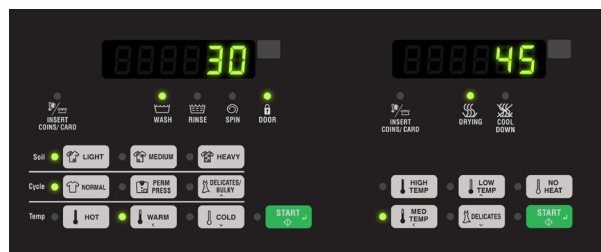
- Integrated meter case
- Large capacity meter case standard
- Wash Alert™ capability

WASHER (ADA Compliant)

- Rugged suspension system
- Industry leading 1200 RPM spin speed exerts 440 G-force extraction
- Durable stainless steel washtub
- Four-compartment soap dispenser
- Extra-wide 15.5" door opening and 180° door swing

DRYER

- Upfront lint filter easy to clean and secured
- Industry's largest door opening 2.06 sq. ft. (1914 cm²)
- Quiet, efficient blower system



Washer Control

Dryer Control

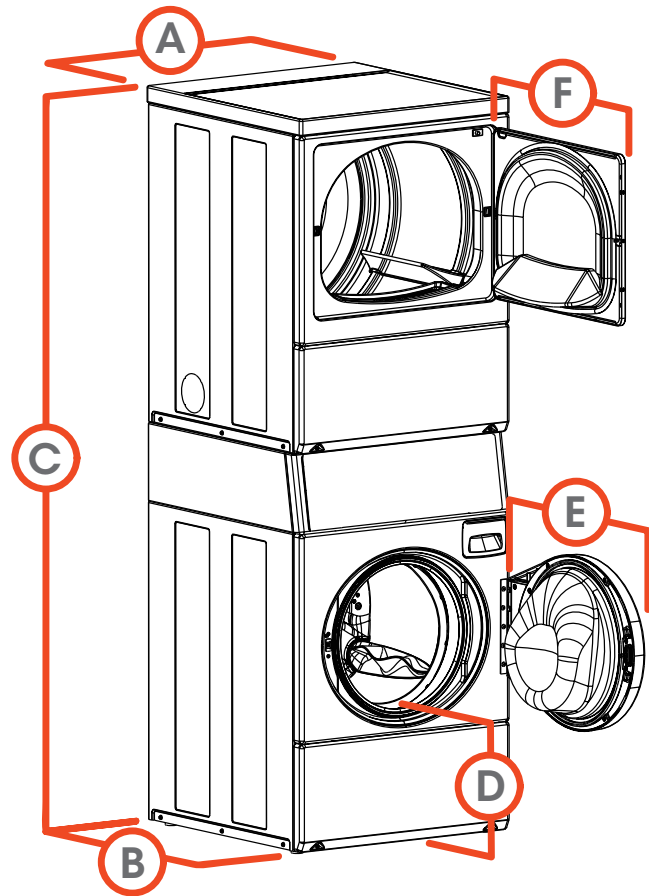
The cutting edge Quantum control system from Speed Queen gives you the freedom to manage laundry your way with the power to achieve unmatched levels of revenue. Quantum Gold provides users with additional cycle choices while offering new options to help lower operating costs and incorporates tools and options to increase revenue.

SPECIFICATIONS

COMMERCIAL STACK WASHER/DRYER - STAINLESS

MODEL - see below for all models and activation available		
CONTROL OPTION	Quantum Gold	
COLOR	Stainless	
CAPACITY - lb (kg)	Washer	21.5 (9.5)
	Dryer	18 (8.2)
OVERALL WIDTH - in (mm)	26.875 (683)	
OVERALL DEPTH - in (mm)	27.73 (704)	
OVERALL HEIGHT - in (mm)	78.17 (1986)	
CYLINDER VOLUME cu. ft. (liters)	Washer	3.42 (96.8)
	Dryer	7.0 (198)
MOTOR SIZE - HP (kW)	0.9 (0.67)	
TYPE OF GAS (GAS MODELS ONLY)	Factory equipped natural	
WATER CONSUMPTION PER CYCLE - g (liter)	13.68 (51.78)	
IWF (WATER FACTOR) - gal/ft ³ (liters/liter/cycle)	4.0 (0.53)	
MEF ₂ (Modified Energy Factor) ft ³ /kWh/cycle (Liters/kWh/cycle)	2.20 (62.3)	
AVAILABLE WATER TEMPERATURES	Hot, Warm, Cold	
AVAILABLE CYCLES	Washer	Light, Medium, Heavy, Normal, Perm Press, Delicates/Bulky
	Dryer	High, Medium, Low, Delicate, No Heat
AIR OUTLET DIAMETER - in (mm)	4 (102)	
EXHAUST AIRFLOW - cfm (liters/sec)	220 (105)	
ELECTRICAL REQUIREMENTS	Electric	120/240/60/1-30 amp 120/208/60/1-30 amp
	Gas	120/60/1-15 amp
HEATING ELEMENT	Electric	5350W, 240V 4750W, 208V
	Gas	25,000 Btu
NET WEIGHT - lb (kg)	385 (175)	
SHIPPING WEIGHT - lb (kg)	417 (189)	
SHIPPING DIMENSIONS APPROX. - in (mm)	Width	34 (864)
	Depth	30 (762)
	Height	80 (2032)
AGENCY APPROVALS	Electric	cULus
	Gas	cCSAus

MODELS	VOLTAGE/FREQ/PH	ACTIVATION
STENYASP175TN01	120/240/60/1	Electric Prep for Card
STGNYASP115TN01	120/60/1	Gas



A.	OVERALL WIDTH - in (mm)	26.875 (683)
B.	OVERALL DEPTH - in (mm)	28 (711)
C.	OVERALL HEIGHT - in (mm)	78.17 (1986)
D.	FLOOR TO DOOR OPENING -in (mm)	14.6 (371)*
E.	DOOR SWING - in (mm)	24 (610)

* For ADA compliance turn legs out from base 0.5 inches

♦ NOTE: Each stack washer/dryer requires two power cords. One for washer, one for dryer.

■ Electric dryers come equipped for 240/60/1 operation. They can be field converted to operate on 208/60/1 with optional 61928 conversion kit. Gas dryers can be field converted for operation on LP gas with optional 458P3 conversion kit.

For the most accurate information, the installation guide should be used for all design and construction purposes. Due to continuous product improvements, design and specifications subject to change without notice. The quality management system of Alliance Laundry Systems' Ripon facility has been registered to ISO 9001:2008.



by Alliance Laundry Systems

speedqueencommercial.com/multihousing

AM18-0054 • ©2018 Alliance Laundry Systems LLC